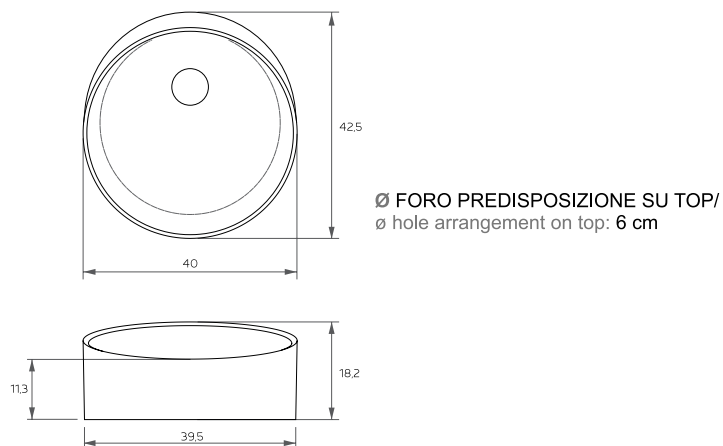


Disegno tecnico / *Technical drawing*



solid surface:

solid white

